

HW-LA212A



PRODUCT PROFILE

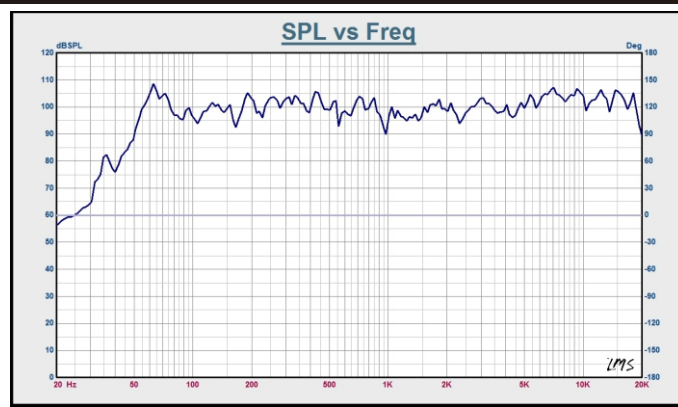
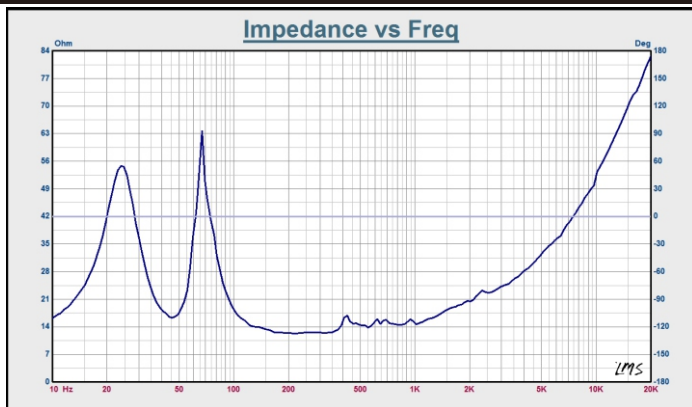
- * HW-LA212A is a two-way, high power, active line array element that can cover a variety of mid- to large-size touring applications and high-end fixed installations.
- * Equipped with 2 x 12" neo woofers, and 2x 2.5" neo drivers, it offers excellent playback quality and high sound pressure levels with a built in 1600W powerful digital amplifier that delivers 140dB maximum SPL.
- * DSP controlled Input section with selectable presets offer a plug and play experience while providing consistency and optimum performance.
- * Using advanced neodymium magnets and a groundbreaking new housing constructed from lightweight plywood and polyurea painting, it has a remarkably low weight for easy handling and flying.
- * New transport cart and frame for simplified transport and setup.
- * The HW18SA and HW218SA are the ideal bass complement for the HW-L212A array system.

SPECIFICATION

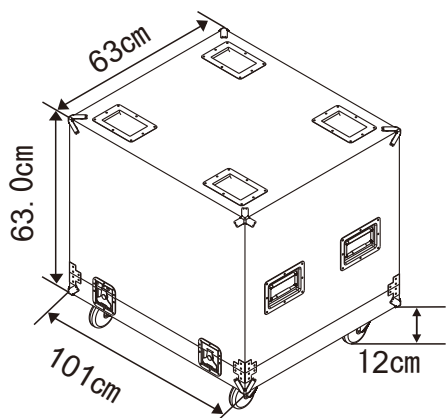
Model No	HW-LA212A
System Type	Active Wooden Line Array
Power System	Class-D
RMS Power (Amplifier)	800W
Program Power	1600W
Drivers	LF: 2x12" Neo Woofers, 3" Voice Coil, Aluminum Frame HF: 2x2.5" Voice Coil, Neo
Max SPL	140dB
Frequency Response	45-20KHz
Horn Coverage	70°/90°/110°Horizontal x10°Vertical
Connector	XLR\TRS
DSP Preset Modes	CLUSTER1/CLUSTER2/CLUSTER3/CLUSTER4/INDOOR
Power Connection	110-120V~220-240V, 50/60Hz, Switch Mode
Cabinet Construction	Plywood with Black Polyurea Finisht, Metal Grille with Internal Cloth Lining, Rigging System
Mounting	Metal Flybar
Product Dimension Carton Dimension	96*40*55CM/102*46*61CM
Product Weight Gross Weight	35.5Kgs/38Kgs

HW-LA212A

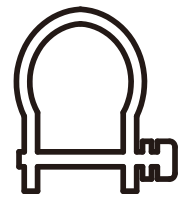
ACOUSTIC MEASUREMENTS



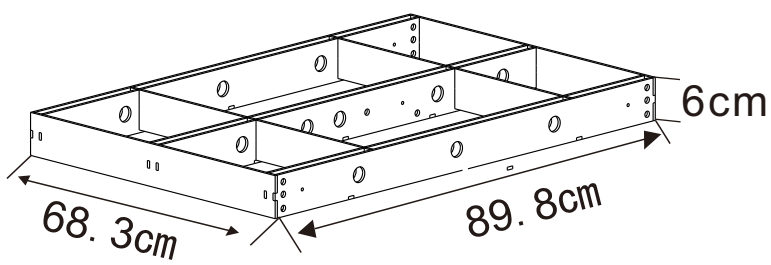
ACCESSORIES



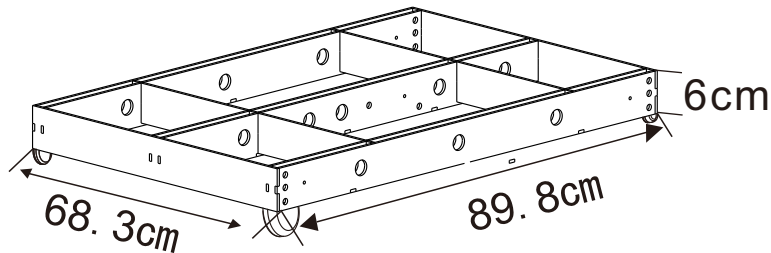
Flight Case



D Shackle



Fly bar



Dolly

INSTALLATION

